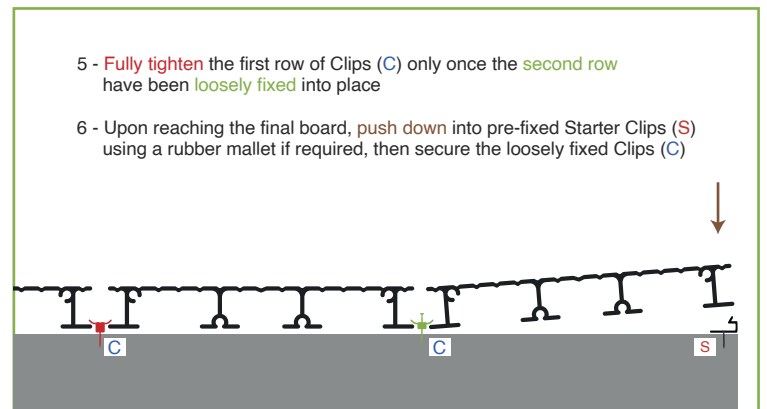
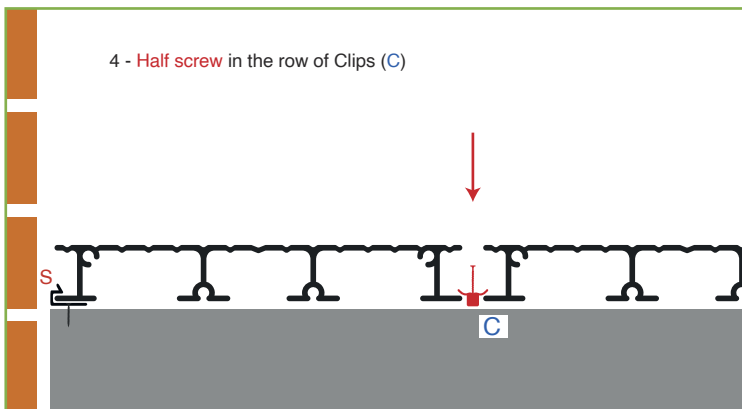
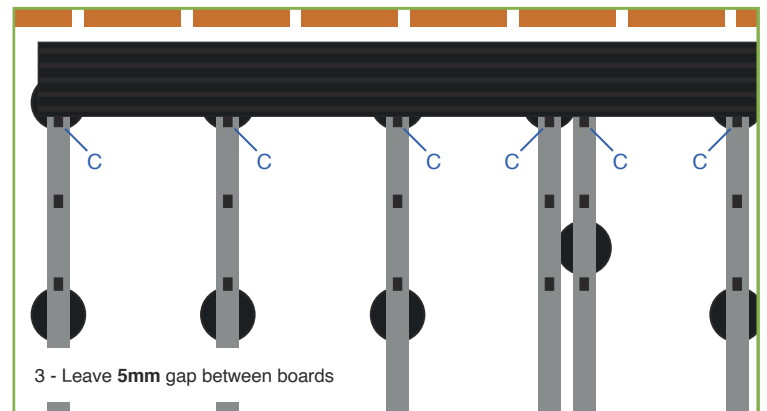
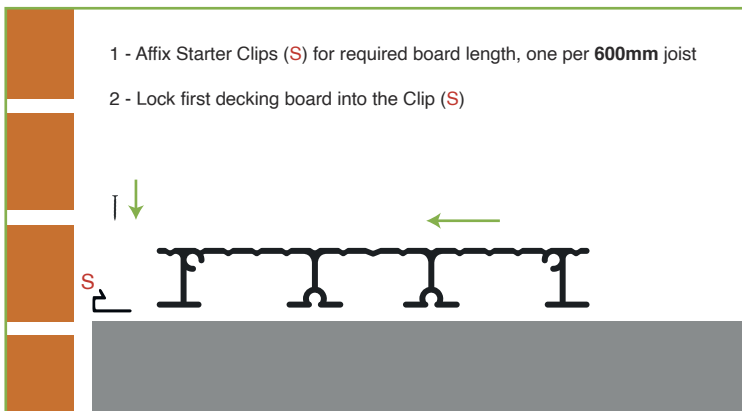


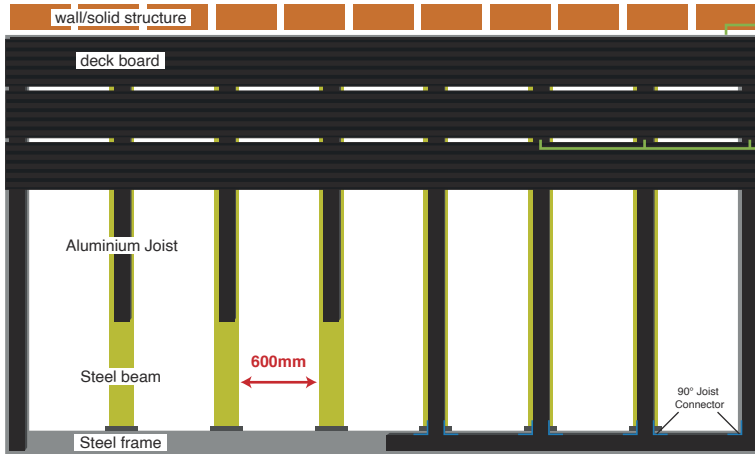
Prepare the groundwork prior to commencing the fit. Building regulations and Builddeck recommend the finished decking surface has a drainage gradient of 1 in 80 (1.25%) to allow for water to "run off" freely.

Lay your Joists **600mm** centre to centre, running the opposite way to the intended direction of the Deck Boards. Make sure to leave a **5mm** gap between any walls / fencing / immovable objects such as fixed planters, to allow for possible expansion.

Ensure cross ventilation is allowed around and under the decking.

Builddeck Aluminium decking board installation instructions below:





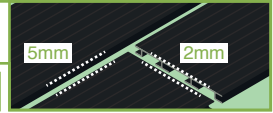
A gap of **5mm** should be left between the decking and any walls or existing structures.

Any overhang must be at a maximum of **30mm**.

Locking Clips must be fixed on each joist at maximum **600mm** centre to centre.

A gap of **2mm** must be left between abutted board.

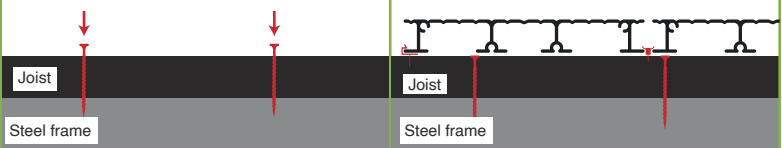
A gap of **5mm** must be left between parallel boards.



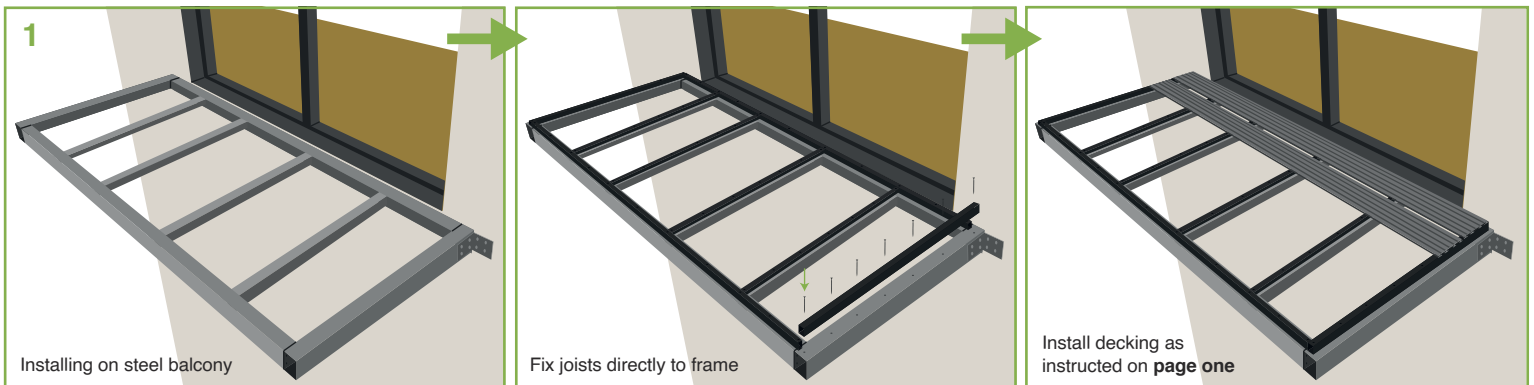
Joist must be fitted before applying the decking

1 Screw the joists directly to the steel frame

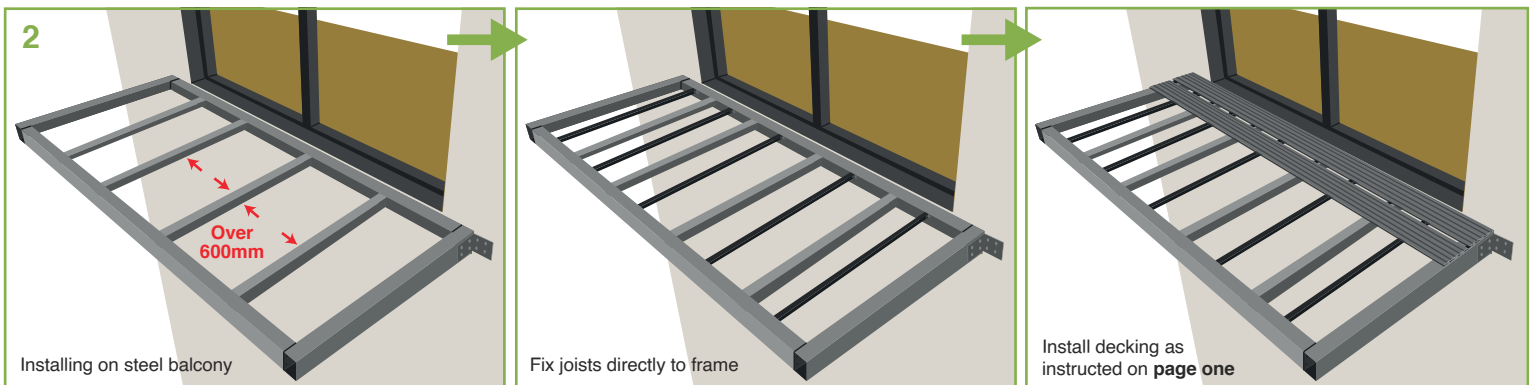
2 Fix the clips and decking to the joists



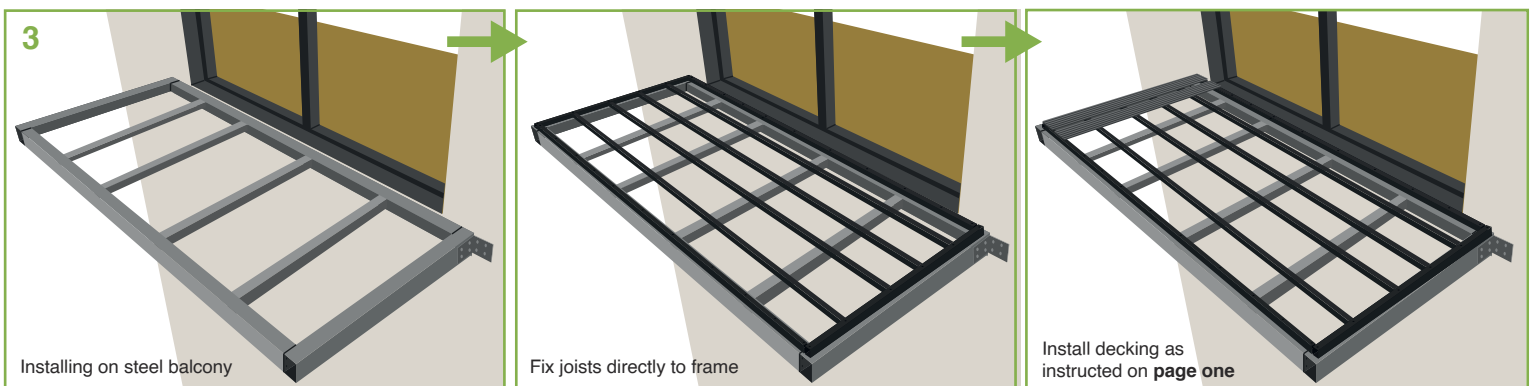
Builddeck Aluminium decking board installation instructions below: 3 Options



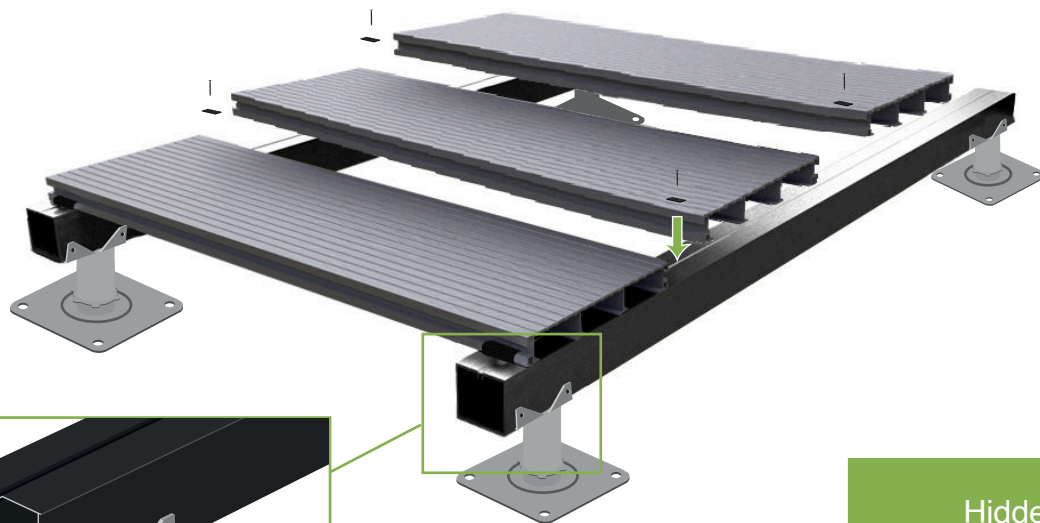
Installation Option 2



Installation Option 3

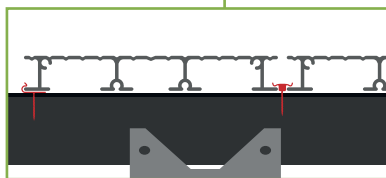
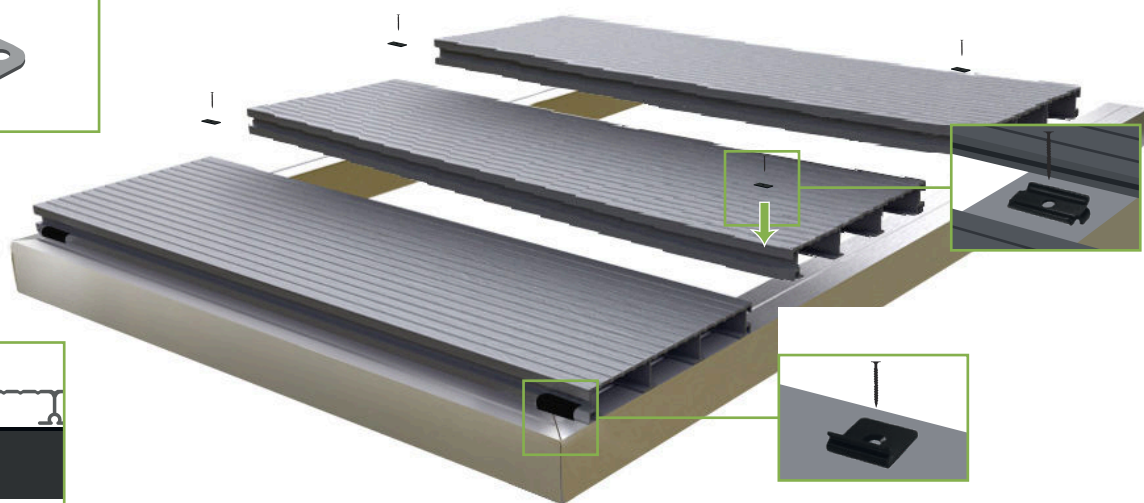
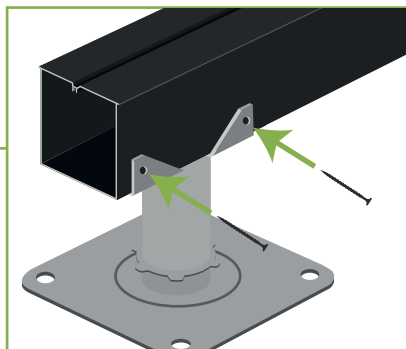


Once the joists are fixed in place, follow decking installation guidelines on page one



Hidden Clip System

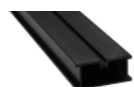
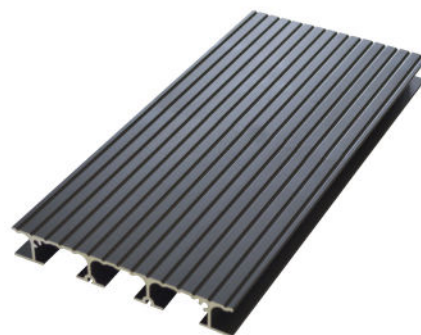
Fitted to metal frame - Balcony



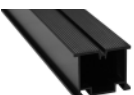
Description

Specification

Reaction to fire	Powder Coated: EN 13501-1: Class A2 Non-combustible
Pendulum slip test	DRY 105 / WET 84 (Low slip potential)
Material grade	T6-6063 Aluminium
Board dimension	145 x 21 x 3600 mm
Joist span	600mm
Finish	Powder Coated
Colour	RAL 7016 (Also available in any standard RAL colour)
Allowable load (Uniformly distributed)	> 4.0 kN/m ²
Allowable load (Concentration)	> 2.0 kN/m ²
Accessories	End caps / side / clips / aluminium joists / metal pedestal



Reaction to fire Powder Coated: EN 13501-1: Class A2 Non-combustible



Material T5-6063 Aluminium



Profiles 22 x 48mm
38 x 48mm
72 x 48mm

Length 3600 mm

Support spans 22 x 48mm: 400mm
38 x 48mm: 600mm
72 x 48mm: 1200mm



Reaction to fire EN 13501-1: Class A2

Material Galvanized Steel

Base size Diameter: 82mm

Height range 25mm - 600mm

Max working pedestal load 6 kN

PLEASE READ PRIOR TO INSTALLATION

Select the location of your decking carefully taking into account privacy, sun, shade and wind. Consider the layout for exit and entry to the home. Keep the size of the deck in proportion to your home and garden. For all but a simple ground level decking, installers should satisfy themselves as to whether planning regulations apply. If you are unsure, always contact your local planning office to discuss your intentions.

DRAINAGE AND VENTILATION

When designing and building decking always plan to achieve a structure that will enable water to freely drain away via ground preparation, sub structure and the deck itself. If the water does not run off freely from the support structure or the water collects on the surface of the deck for a long period, the boards may start cupping and structural damage may occur.

To achieve rain water "run off", decking should be laid on a slight gradient of at least 1 in 80 (1.25%) in the direction of the long side of the boards in the grooves direction. Good drainage and ventilation around and under the deck is required.

SAFETY INSTRUCTIONS

When handling and processing Builddeck products always wear gloves, eye protection and work in a well ventilated area.

Always wash your hands after handling Builddeck products, especially before eating or drinking. Wear eye protection when pressure washing or scrubbing the decking. Keep children and animals away from the work area until the job has been completed and the tools have been stored in a safe place. When cutting, planing or sanding our products, be aware that the creation of dust and noise will occur.

We recommend that all operatives carrying out these tasks wear suitable P.P.E including gloves, eye protection, dust masks and ear defenders.

Slip test pass results apply to the groove surface of the boards only.

WEATHERING & STORAGE

We will always endeavour to pick all products from the same batch however, when orders are added or amended at a later date the boards will likely be from a different batch therefore colour variation is likely. Please ensure you order the correct amount of boards on the initial order.

Where possible, Builddeck products should be stored indoors and away from any direct sunlight to avoid any natural colour weathering prior to installation. Should indoor storage not be possible, the boards should be kept covered in a shaded, free draining area and supported off the ground by level bearers set at **400mm** apart, centre to centre.

MAINTENANCE

Regularly use a brush and hot soapy water to wash Builddeck products. For water stains or any marks caused by birds, berries or leaves, use a soft cleaning detergent to wash off.

If using a power washer to clean your product, keep a distance of at least 30cm from the boards.

Do not use solvent based materials on Builddeck products. Do not stain, oil or paint any Builddeck WPC without guidance.

MINOR DAMAGE

As with any product that is meant for outdoor use, scratches and acts of nature will inevitably occur.

COLOUR EXPECTANCY

Builddeck 's composite products will fade due to sun bleaching over time. As our aluminium decking is a man made partially recycled product, colour variations and dimension tolerance are to be expected.

Our warranty does not cover colour fade, discolouration tolerance or water marks, or stains on our products.

On deliveries colour variations may occur in different batches.

DISCLAIMER

The information given in this publication is based on those guidelines for installation on domestic properties. Commercial decks require more robust design, materials and construction to deal with the loads placed on them and are not covered by the guidance in this brochure.

Builddeck installation manuals are designed as a general guide. They may not cover every installation scenario envisaged.

Since each installation is unique; the installation method used and/or the actual installation and its actual performance are the sole responsibility of the installer.

Builddeck recommends that all designs be reviewed by a licensed architect or engineer before installation. Please ensure your plan and/or design meets building regulations and permission before you begin installation.

If you are unsure of the best practices, please use suitably qualified personnel such as GQA accredited to prevent injuries or accidents and get the best performance from Builddeck products.

Fixings

Starter Clip



Concealed Clip



Clip Screw
(3.9 x 25mm)



Screw Bit
(T 15)



Straight Joist
connector
(Horizontal)



Angled Joist
connector
(Adjustable)



90° Joist
connector
(Adjustable)



Connector Screw
(3.9 x 13mm)



If you require any further assistance or have any questions regarding the installation of Builddeck composite decking products, please call on **01438 362 547** or email us at **info@builddeck.co.uk**.